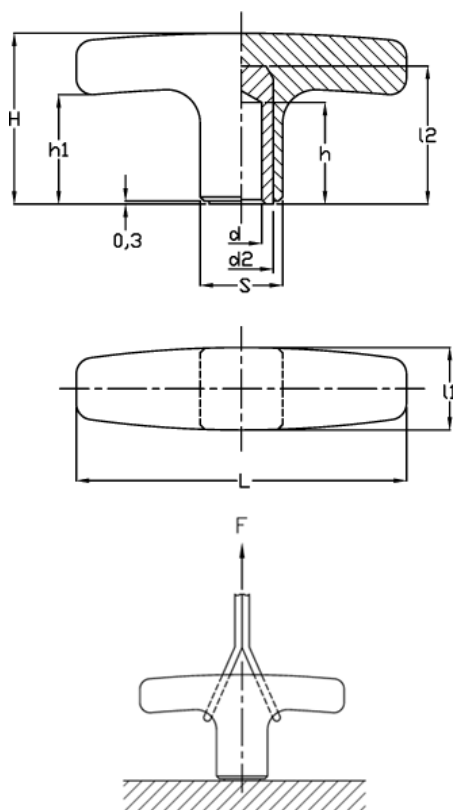


Data Sheet



Article number: 2304032453
Description: Handle 32453
L.652/80 B-8, Black

Measures



$d_2 = 13$

$l_2 = 33$

$d_{H9} = 8$

$S = 20 \times 20$

$F (N) = 7000$

$h = 25$

$H = 41$

$h_1 = 26.0$

$L = 80$

$l_1 = 20$